

85 w PV Panel

Must be set up permanently to avoid battery sulphation

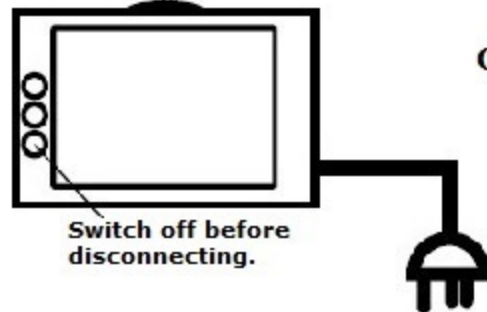


12 A Charge Controller



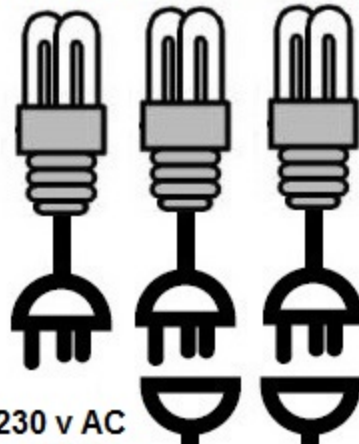
Example Loads (Not Included) with maximum run times

In Summer
120 W TV for 11/2
hours/day



OR

In Summer 3 low energy
mains lamps for 6 hours /day

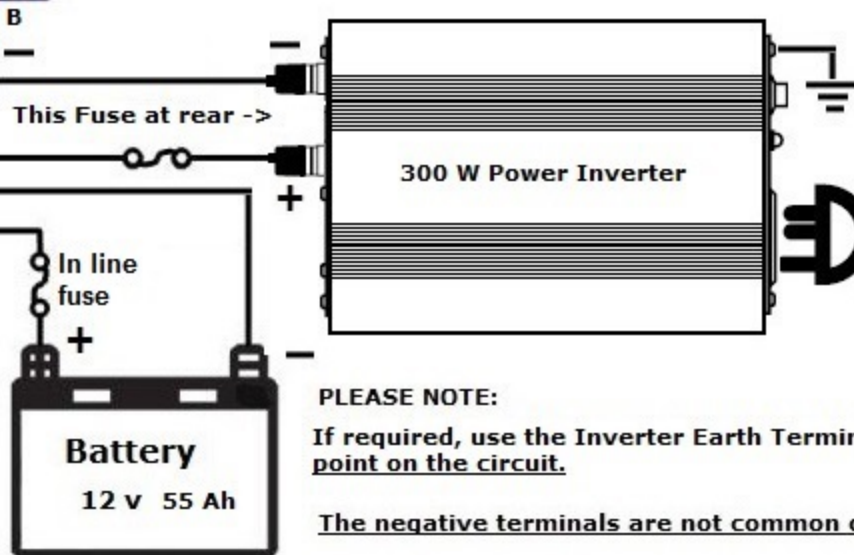


230 v AC
Twin
Sockets

Wiring Diagram for sps1285

If the full protection function of the controller is required, the load power should not exceed 150 W continuous. (This corresponds to a load current of 12 A.) In this case remove croc. clips at A and B.

Higher loads can be used for short periods by connecting the inverter directly to the battery. Note that a higher load will discharge the battery rapidly and you may need to recharge it with a mains charger.



PLEASE NOTE:

If required, use the Inverter Earth Terminal. Do not Earth any other point on the circuit.

The negative terminals are not common on this type of controller.