

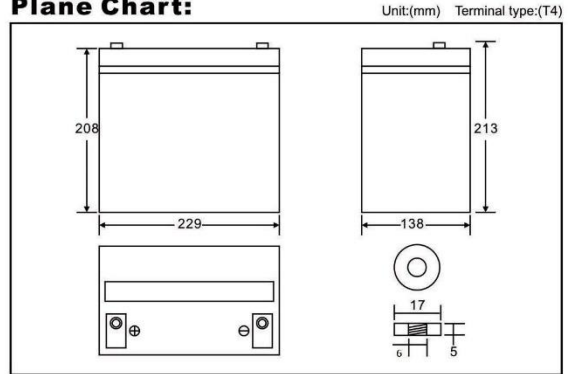


MODEL: OT55-12L

Product Code:VRLA-1255003



Plane Chart:



Materials Used

Executed Standard:GB/T 19639.1-2005

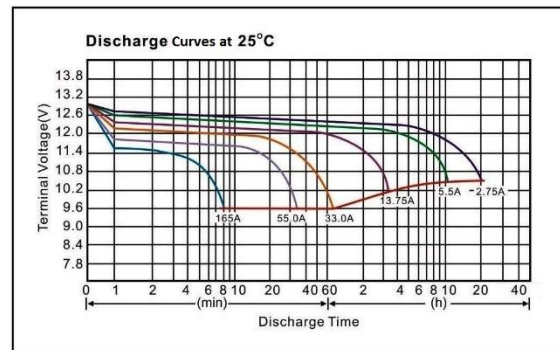
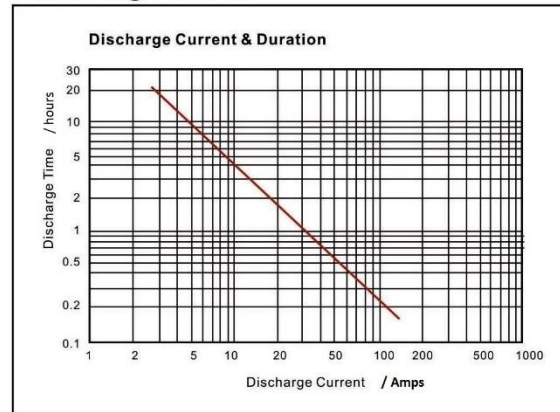
Cover	Container Bottom	Terminal	Positive Plate	Negative Plate	Separator	Electrolyte	Safety Valve	Seal Glue
ABS	ABS	Copper	PbO ₂	Pb	Glass Mat	dilute sulphuric acid	Rubber EPDM	Epoxy Resin

Parameter Chart:

Volts		12V	
Capacity(25°C)	10 hour rate (5.5 A)	55 Ah	
Discharge Current Testing (25°C)	3 hour rate (13.7 A)	41 Ah	
	1 hour rate(33.0 A)	33 Ah	
Internal Resistance	Full Charged Battery 25°C	6mΩ	
Capacity Affected By Temperature (20 hours rate)	40°C	102%	
	25°C	100%	
	0°C	85%	
	-15°C	62%	
Residual Capacity After Storage at 25°C /15°C	Capacity After 3 Months Storage	91% / 95%	
	Capacity After 6 Months Storage	82% / 91%	
	Capacity After 12 Months Storage	64% / 82%	
Cycle Service Life (25°C)	Above 300 cycles at 80% discharge		
	Above 800 cycles at 50% discharge		
Standby Service Life Above 5 Years	Cycle Service	Initial Charging Current Less Than 10 A Absorption Voltage 14.4 v(25°C) -- 14.9 v (5°C)	
	Standby Service	Float Voltage 13.7 v(25°C) -- 14.2 v (5°C)	
Weight (Approx)		16.8Kg	

*The above are average and data obtained from the first 3 charge/discharge cycles. These are not minimum values.

Discharge Curve



Constant Current Discharge (Amperes) at 25°C (77°F)												
F.V/Time	5min	10min	15min	30min	1Hr	2Hr	3Hr	4Hr	5Hr	6Hr	10Hr	20Hr
1.80V/cell	151.8	113.85	82.5	55.55	32.45	18.15	13.75	11	9.68	7.92	5.17	2.695
1.75V/cell	157.3	116.05	84.15	56.65	32.89	18.7	14.3	11.55	9.9	8.03	5.28	2.75
1.70V/cell	171.6	123.2	89.1	58.85	33.55	19.25	14.685	11.715	10.065	8.195	5.379	2.794
1.65V/cell	188.65	133.65	96.8	62.15	33.55	19.36	14.85	11.858	10.175	8.25	5.445	2.805
1.60V/cell	204.6	140.25	101.75	64.9	34.1	19.8	14.96	11.935	10.285	8.415	5.5	2.86

Constant Power Discharge (Watts/cell) at 25°C (77°F)												
F.V/Time	5min	10min	15min	30min	1Hr	2Hr	3Hr	4Hr	5Hr	6Hr	10Hr	20Hr
1.80V/cell	1988.58	1463.88	1173.15	697.62	400.32	216.86	160.281	132.471	110.550	92.871	61.743	32.340
1.75V/cell	2301.42	1585.65	1227.27	724.35	412.27	221.10	163.515	134.829	112.200	94.286	62.700	33.000
1.70V/cell	2445.30	1643.07	1264.89	740.85	419.73	224.87	165.000	137.186	112.827	96.171	63.030	33.165
1.65V/cell	2555.19	1682.34	1293.93	751.08	424.74	227.23	166.188	138.600	113.223	97.114	63.162	33.231
1.60V/cell	2640.00	1716.00	1320.00	759.00	429.00	229.59	167.112	140.014	113.520	98.057	63.162	33.231



MODEL: OT100-12L

Product Code:VRLA-12100004

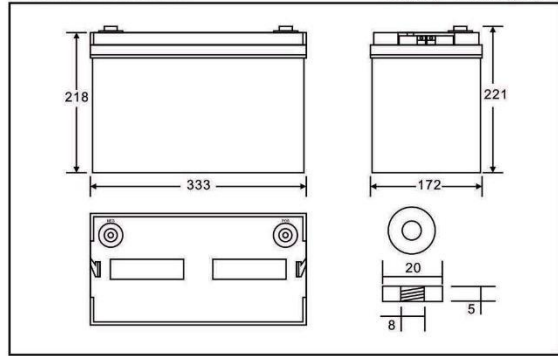


Container Color
 ■ Black C
 ■ Grey 3 C



Plane Chart:

Unit:(mm) Terminal type:(T3)



ISO9001
 ISO140001
 OHSAS18001

Materials Used

Executed Standard:GB/T 19638.2-2005

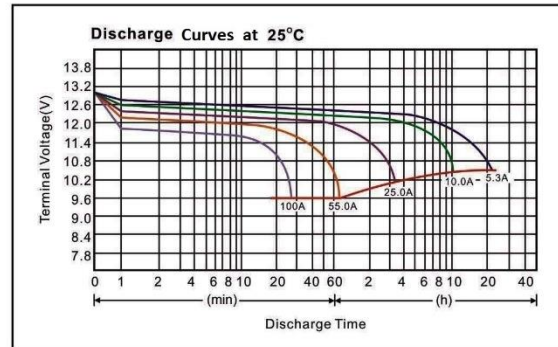
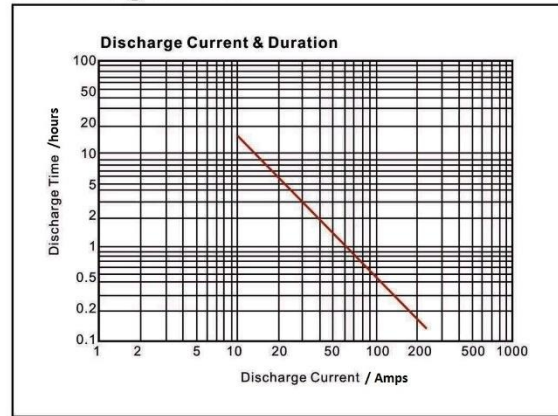
Cover	Container Bottom	Terminal	Positive Plate	Negative Plate	Separator	Electrolyte	Safety Valve	Seal Glue
ABS	ABS	Copper	PbO ₂	Pb	Glass Mat	dilute sulphuric acid	Rubber EPDM	Epoxy Resin

Parameter Chart:

Volts	12V	
Capacity(25°C)	10 hour rate (10A)	100Ah
	3 hour rate (25A)	78Ah
	1 hour rate (55A)	60Ah
Internal Resistance	Full Charged Battery 25°C	3.5mΩ
Capacity Affected By Temperature (20 hour rate)	40°C	102%
	25°C	100%
	0°C	85%
	-15°C	62%
Residual Capacity After Storage at 25°C / 15°C	Capacity After 3 Months Storage	91% / 94%
	Capacity After 6 Months Storage	82% / 91%
	Capacity After 12 Months Storage	64% / 82%
Cycle Service Life (25°C)	Above 300 cycles at 80% discharge Above 800 cycles at 50% discharge	
Optimum Charger Settings	Cycle Service	Initial Charging Current Less Than 20 A Absorption Voltage 14.4 v(25°C)--14.9 v (5°C)
Standby Service Life(Above 5 Years)	Float Voltage 13.7 v (25°C)-- 14.2 v (15°C)	
Weight (Approx)	33.5Kg	

★The above are average and data obtained from the first 3 charge/discharge cycles. These are not minimum values.

Discharge Curve



Constant Current Discharge (Amperes) at 25°C (77°F)

F.V/Time	5min	10min	15min	30min	1Hr	2Hr	3Hr	4Hr	5Hr	6Hr	10Hr	20Hr
1.80V/cell	19.320	14.490	10.500	7.070	4.130	2.310	1.750	1.400	1.232	1.008	0.658	0.343
1.75V/cell	20.020	14.770	10.710	7.210	4.190	2.380	1.820	1.470	1.260	1.022	0.672	0.350
1.70V/cell	21.840	15.680	11.340	7.490	4.270	2.450	1.869	1.491	1.281	1.043	0.685	0.356
1.65V/cell	24.010	17.010	12.320	7.910	4.270	2.460	1.890	1.509	1.295	1.050	0.693	0.357
1.60V/cell	26.040	17.850	12.950	8.260	4.340	2.520	1.904	1.519	1.309	1.071	0.700	0.364

Constant Power Discharge (Watts/cell) at 25°C (77°F)

F.V/Time	5min	10min	15min	30min	1Hr	2Hr	3Hr	4Hr	5Hr	6Hr	10Hr	20Hr
1.80V/cell	253.090	186.310	149.310	88.790	50.950	27.600	20.399	16.860	14.070	11.820	7.858	4.116
1.75V/cell	292.910	201.810	156.200	92.190	52.470	28.140	20.811	17.160	14.280	12.000	7.980	4.200
1.70V/cell	311.220	209.120	160.990	94.290	53.420	28.620	21.000	17.460	14.360	12.240	8.022	4.221
1.65V/cell	325.210	214.120	164.680	95.590	54.060	28.920	21.151	17.640	14.410	12.360	8.039	4.229
1.60V/cell	336.000	218.400	168.000	96.600	54.600	29.220	21.269	17.820	14.448	12.480	8.039	4.229